

PREMO

Product code: 002952



Main features

- High accurate measurements
- Long-term stability
- Low power
- Maintenance friendly
- Plug and play

PREMO is a barometer designed and manufactured by PULSONIC that provides reliable air pressure measurement for all weather applications. Low power consumption, reliable, easy to install and maintain, it has all the necessary features to meet the expectations of meteorological services.

PREMO is a sensor for measuring atmospheric pressure. **PREMO** has a particularly robust cast aluminum housing which allows it to be installed in harsh environments with very low power consumption.

Easy maintenance

Its piezo-resonant silicon technology achieves one of the highest accuracies and long-term stability available on the market. PULSONIC

recommends calibration and adjustment only every two years.

Plug and play

PREMO features PULSONIC's "plug & play" technology. Indeed **PREMO** embeds its adjustment coefficients and makes them available to the P4-100 datalogger. This greatly facilitates maintenance operations in the field! **PREMO** can be easily integrated with PULSIA

automatic weather stations for aeronautical or synoptic applications. The set allows to produce the following data: Pressure at station level, Pressure at sea level, QNH, QFE.

Robust

PREMO has an IP 67 rating and has watertight connectors that make it particularly resistant to dust, sand and humidity.

Technical specifications

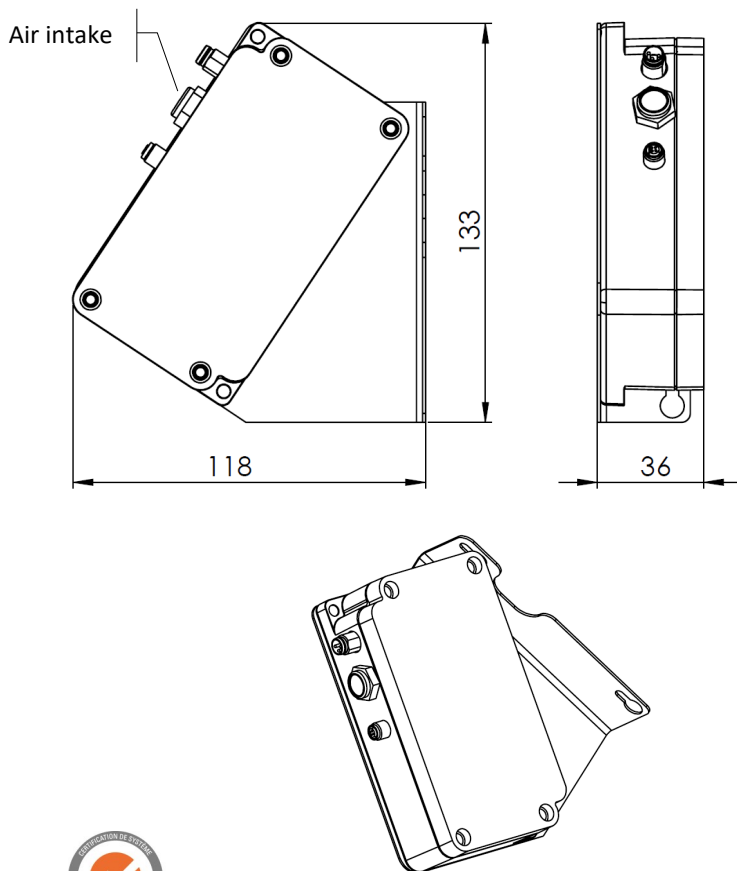
Atmospheric air pressure

Measuring range	500 to 1200 hPa
Resolution	0,1 hPa
Total accuracy (Including the P4-100 acquisition chain)	± 0.15 hPa (-20 to 85°C)
Long-term stability	± 0.05 hPa/an

Data generated* (WMO compliant)

Atmospheric pressure (hPa)
Atmospheric pressure at sea level (hPa)
Minimum atmospheric pressure at sea level (hPa)
Maximum atmospheric pressure at sea level (hPa)
QNH (hPa)
QFE (hPa)

*Data generated by the P4-100 data logger



General

Electrical characteristics

Input power supply	+5 Vdc
Typical power consumption	1mA@5Vdc / 5 mW
Cable connector	Binder M5
Communication	PULSONIC LAN
Output signal	Digital
Technology	Piezoresonant silicon
Air intake	Protected by a filter
Time constant	2s
Temperature compensator	Integrated

Environment

Operating temperature	-40 to 80°C
Storage temperature	-40 to 80°C
IP Class	IP67

Maintenance

Recommended calibration	Every 2 years
-------------------------	---------------

Mechanics

Matériau	Aluminium cast
Weight (Sensor)	485 g
Dimensions (length x width x height)	134x118x36 mm
Cable length	0.4 m

Did you know that?



When the **PREMO** barometer is installed in the solar generator, it filters out the effect of dynamic pressure due to strong winds and gales that could distort the measurement

