

Europe enclosure

Item: 003087



LowPower

Technology

Main features

- Robust: Cast aluminium
- Allows the fixation of sensors
- Waterproof
- Integrates a solar panel

The **"Europe" solar generator box** allows the quick and durable installation of a PULSIA weather station. Equipped with a solar panel and a battery, it provides the necessary energy for the station to function properly even in the most remote locations!

The **"Europe" solar generator box** enables the installation and solar-powered operation of a PULSIA weather station. The P4-100 datalogger fixing bracket can be easily hooked and unhooked inside to facilitate maintenance operations

Robust

Made of cast aluminum painted in white, the solar generator box is resistant to external aggressions such as corrosion, heat, UV, rain or theft.

Solar panel

By seamlessly integrating the solar panel into the protective cover of the box, the risk of theft is significantly reduced, guaranteeing system security and uninterrupted operation. Moreover, the advanced amorphous solar panel technology empowers the system to efficiently generate the required energy, even during overcast weather conditions.

Mounting of the sensors

The box provides four mounting locations underneath, allowing convenient attachment of sensor poles using fixing collars.

Cable protection

All cables from the poles or structure enter the box directly for enhanced protection against external factors (UV rays, theft, and animal interference ...)

Technical specifications

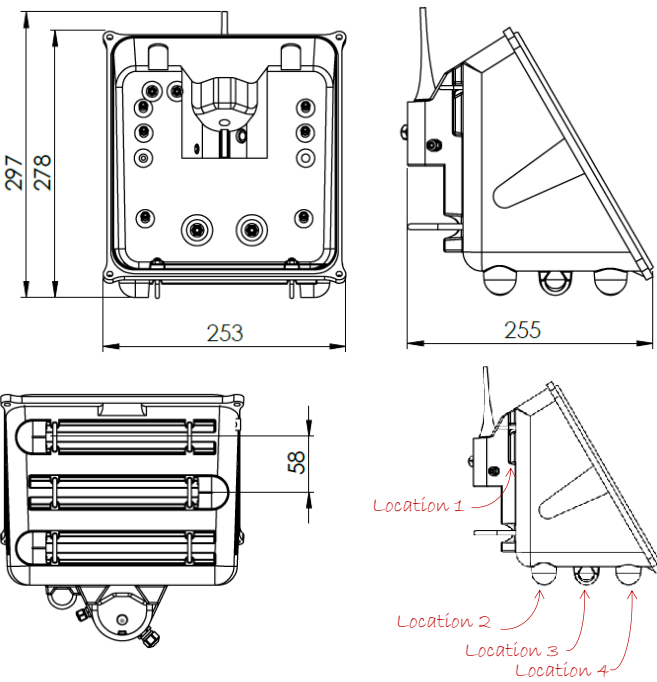
General

Material	Cast aluminium
Dimensions	264 x 300 x 300 mm
Weight	6.5 kg
Fixation	On a Ø 50 mm tube
Protection (optional)	Tamper-proof screws

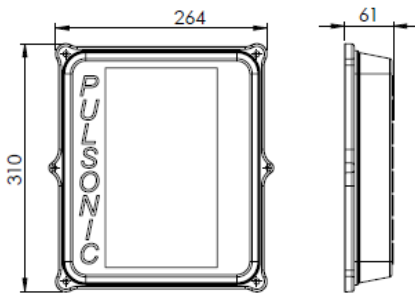
Location for mounting pole

Available locations	4
Diameters	Ø 20 mm
Type of fastener	Per collar

Tank



Solar cover (Europe)



Solar power supply

NiMh battery

Item : 002446

Voltage	6 V
Capacity	6 Ah
Dimensions	160 x 33 x 60 mm
Weights	700g
Connector	M8 format (molded), IP67
Operating temperature	-40°C to +85°C

Lead battery

Item : 002058

Voltage	6 V
Capacity	12Ah
Dimensions	151 x 50 x 97.5 mm
Weight	2.1 Kg
Connector	M8 format (molded), IP67
Operating temperature	-15°C to +40°C in charge -20°C à +60°C in discharge



The choice of battery technology depends on the geographical location of the station and the temperatures it will encounter.

Solar cover (Europe)

Item: 002057

Cover dimension	310 x 264 x 61 mm
Panel dimension	260 x 150 mm
Power	152 mA / 7.5 V @ 1000W/m ² 30 mA / 6.8 V @ 200 W/m ²
Technology	Amorphous silicon
Location	Integrated in the lid of the case
Tilt	60°
Connector	Waterproof 5.5 jack with lock



Did you know that?

Amorphous silicon can provide enough energy even under diffuse lighting. It is also one of the most environmentally friendly photovoltaic technologies because it contains no heavy metals!

WWW.PULSONIC.COM



PULSONIC

48, rue de Versailles 91400 Orsay France
 Tel : +33 1 64 46 34 10 | Fax : +33 1 64 46 25 22
 Email : info@pulsonic.com | www.pulsonic.com
 SAS with a capital of 70000€ | RCS : Evry B 329 221 980

