

ALIZIA 150

Product code : 002247



Main features

- Very low power consumption
- Corrosion resistant, IP65
- Measures speed from 0 to 60 m/s
- Measures wind direction from 0 to 360
- Accurate and low maintenance

ALIZIA 150 is a high precision mechanical wind sensor that combines an anemometer and a wind vane and can optionally be equipped with a global radiation sensor.

High reliability

ALIZIA 150 uses the main elements of the ALIZIA 312 wind sensor used by METEO-FRANCE in its climatological networks which makes it particularly reliable.

Robust

ALIZIA 150 is designed to withstand a harsh environment. Its main body, made of painted cast aluminum, and its glass fiber reinforced polyamide cups, allow it to withstand the harshest conditions for many years.

PET calculation

By adding the radiation option it is possible to estimate the potential evapotranspiration.

Automatic

When connected to a PULSIA, PULSIANE or PZERO weather station, **ALIZIA 150** will automatically generate wind data according to WMO recommendations.

Low Power

ALIZIA 150 consumes very little energy, enabling it to be connected to a solar or battery-powered weather station.

Wind speed/direction

Measures	Speed	Direction
Measuring range	0-60m/s	0° to 360°
Unit	m/s	Degré
Accuracy	± 0.5 m/s from 0 to 10 m/s 3% from 10 m/s to 60 m/s	± 5°
Starting threshold	0.5m/s	0.5m/s
Resolution*	0.1 m/s	1°
Type of data available	Instantaneous speed	Instantaneous direction

General specifications

Material	
Body	Aluminum
Cup	Polyamide
Sensor weight	0.65 kg
Pole weight	1.3 kg
Wind vane	Aluminum, carbon

Environment	
Operating temperature	-30 to +60°C
Storage temperature	-40 to +60°C
Humidity	0% to 100%
Connector IP class	IP67

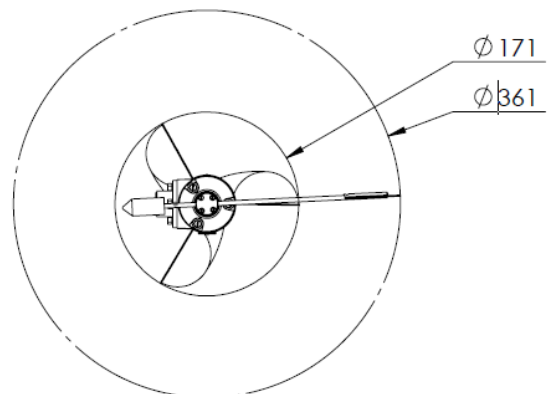
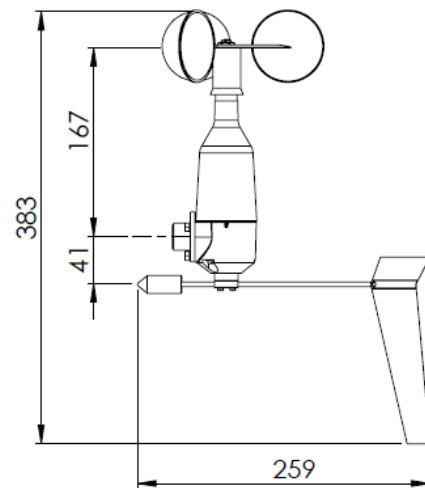
Dimensions

Height	383 mm
Rotational diameters	Ø 171 mm (anemometer) Ø 361 mm (flag)

Generated data* (WMO compliant)

Wind speed	Average speed (m/s)
	Maximum speed (m/s)
	Past wind (km)
Wind direction	Gusts
	Average direction
	Maximum direction

*Data generated by the P4-100 datalogger



WWW.PULSONIC.COM



PULSONIC

48, rue de Versailles 91400 Orsay France
 Tel : +33 1 64 46 34 10 | Fax : +33 1 64 46 25 22
 Email : info@pulsonic.com | www.pulsonic.com
 SAS with a capital of 70000€ | RCS : Evry B 329 221 980

