

Tropical enclosure

Product code : 003086



LowPower
LP
Technology

Main features

- Robust: cast aluminum
- Enables sensor attachment
- Waterproof
- Includes solar panel

Solar cover with tropical-specific inclination

The **"tropical" solar generator box** allows the quick and durable installation of a PULSIA weather or hydrological station. Equipped with a solar panel and a battery, it provides the necessary energy even in the most remote areas!

The **"tropical" solar generator box** allows the installation and solar power supply of a PULSIA weather or hydrological station. The P4-100 central unit mounting bracket can be easily attached and detached from the inside to facilitate maintenance operations

Robust

Made of cast aluminum painted white, the solar generator box is particularly resistant to external aggressions such as

corrosion, heat, UV, rain or theft. The antenna is directly integrated into the enclosure to ensure maximum protection. It is so small that it goes unnoticed!

Solar power supply

The amorphous solar cover has sufficient power to supply the PULSIA weather station even on cloudy days. The solar panel is integrated into the cover to limit theft. Its inclination facilitates self-cleaning.

Mounting of sensors

4 slots on the underside of the enclosure allow the sensor poles to be fixed with clamps.

Protection of cables

All cables passing through the poles or coming from the T-shaped structure enter directly into the enclosure to protect them from external threats such as animals, UV radiation, insects, or theft.

Technical specifications

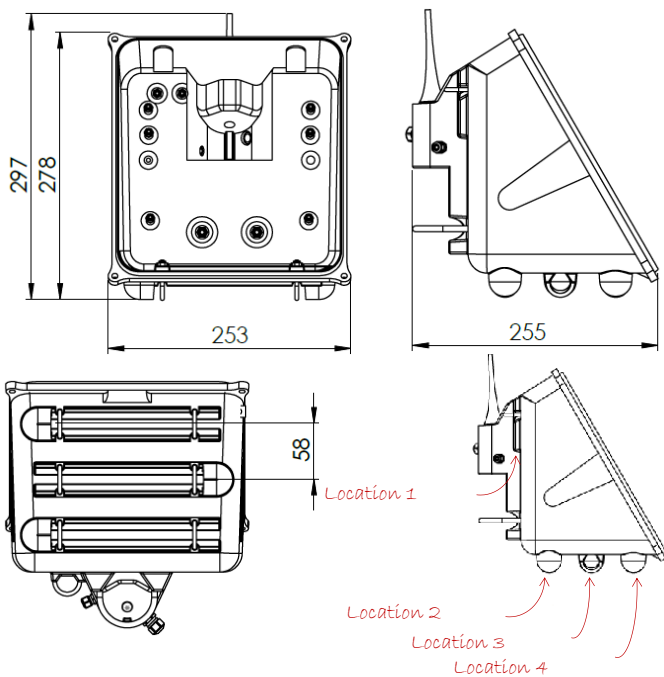
Mecanics

Material	Cast aluminium painted white
Dimensions	264 x 310 x 300 mm
weight	6.5 kg
Fixation	On a Ø 50 mm tube
Protection (optional)	Tamper-proof screws

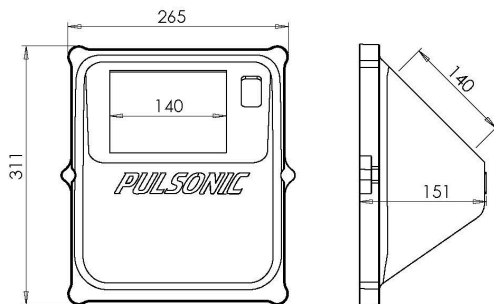
Places for poles

Nbr of poles possible	4
Diameter	Ø 20 mm
Type of fixing	Par clamp

Back of the enclosure



Tropical solar cover



Solar power supply

NiMH battery

Item : 002446

Voltage	6 V
Capacity	6 Ah
Dimensions	160 x 33 x 60 mm
Weight	700g
Connector format	M8 (moulded), IP67
Operating temperature	-40°C to +85°C

Lead battery (Pb)

Item : 002058

Voltage	6 V
Capacity	12Ah
Dimensions	151 x 50 x 97.5 mm
Weight	2.1 Kg
Connector format	M8 (molded), IP67
Operating temperature	-15°C to +40°C on charge -20°C to +60°C on discharge



The choice of battery technology depends in particular on the geographical position of the station and the temperatures it will encounter.

Tropical solar cover

Item : 002593

Cover dimensions	310 x 264 x 153 mm
Panel dimensions	150 x 150 mm
Power	92 mA / 7.5 V @ 1000W/m ² 18 mA / 6.8 V @ 200 W/m ²
Technology	Amorphous silicon
Place	Integrated in the cover
Inclination	15°
Connector	5.5 mm waterproof jack with lock



Did you know that? ?

Amorphous silicon can provide sufficient energy even under diffuse lighting. It is also one of the most environmentally friendly photovoltaic technologies because it does not contain any heavy metals!

WWW.PULSONIC.COM



PULSONIC

48, rue de Versailles 91400 Orsay France
 Tel : +33 1 64 46 34 10 | Fax : +33 1 64 46 25 22
 Email : info@pulsonic.com | www.pulsonic.com
 SAS with a capital of 70000€ | RCS : Evry B 329 221 980

