



### Main features

- Measurement of rainfall
- Very accurate:  $\pm 3\%$  from 0 to 700mm/h
- Works without power supply
- Easy maintenance
- Robustness

**3029** is a rain gauge that measures the height of liquid precipitation collected on the ground. When the increment capacity of the bucket is reached, it tilts abruptly, causing the electrical circuit to close briefly, while discharging its contents to the outside. The second bucket moves to the filling position and then tilts when it is full. A magnet, integral with the pair of buckets, closes the reed relay contact during the tilting process.

**3029** is a rain gauge for measuring liquid precipitation. Thanks to its mechanical system and its dry contact, **3029** allows an accurate and reliable measurement of precipitation.

#### Easy maintenance

**3029** can be installed quickly. Its integrated spirit level makes integration more precise. The protective cover

is easily removed and allows quick access to the troughs for maintenance and calibration. A strainer placed in the centre of the cone helps to limit clogging.

#### Suitable for all climates

Thanks to its double trough and its 400 cm<sup>2</sup> collection surface, the **3029** provides high accuracy during tropical rainfall for example ( $\pm 3\%$  from 0 to 700mm/h). An optional heating system allows the

measurement of solid rainfall.

#### Use of data

By connecting the **3029** rain gauge to a P4-100 central unit, it is possible to communicate the data to a data concentrator. The P4 and P4-100 central units can incorporate a correction polynomial that allows rainfall data to be corrected for intensity.

## Technical specifications

### Measure

Measurement principle	Tilting trough (double) with REED relay
Measurement range	0 to 700 mm/h
Resolution	0.2 mm per pulse
Other available resolutions	
<b>Item : 003142</b>	0.1 mm per pulse
<b>Item : 003211</b>	0.2 mm per pulse
Accuracy (0 to 700 mm/h)	± 3%

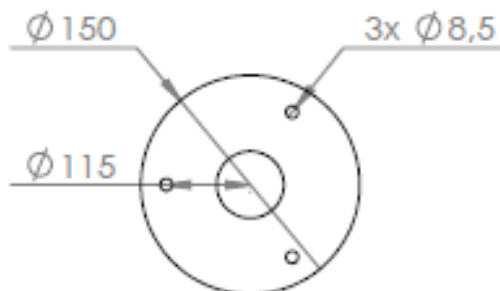
### Accessories / Maintenance

Reheating	Optional
Calibration frequency <i>(recommended)</i>	Annual
Bubble level	Integrated
Strainer	Provided
Anti-bird device	Optional
Galvanised steel foot for embedding	Optional

### Generated data\* (WMO compliant)

Rainfall (mm)
Intensity of rainfall (mm/h)
Maximum rainfall (mm)
Intensity-corrected rainfall over 3 hours (mm)
Intensity-corrected rainfall over 6 hours (mm)
Intensity-corrected rainfall over 12 hours (mm)
Intensity-corrected rainfall over 24 hours (mm)
Intensity corrected rainfall from 06:00 to 05:59 GMT (mm)

\*Data generated by the data logger P4-100



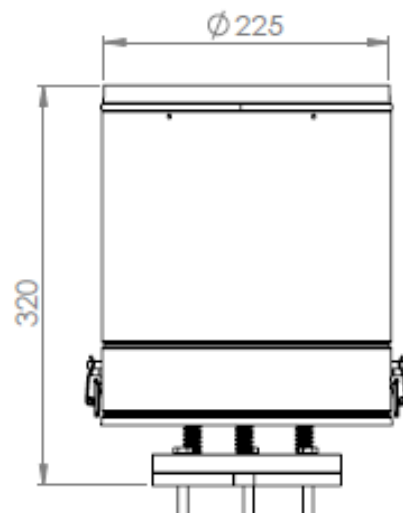
Position of the fixing screws

### General

Supply voltage	N/A
Supply current	N/A
Power supply reheating option	Mains electric
Connector format, IP class	M12, IP67
Materials	
Cone, housing	304L stainless steel coated with white PU paint
Platen	PEHD
Buckets	ABS
Rain barrel	ABS
Fixing screws	Stainless steel
Operating temperature	-40°C to +70°C
Dimensions	Ø225 x 320 mm
Receiving cone	400cm <sup>2</sup> WMO compliant
Weight	2.2kg
Bucket weight	8g
UC P4-100 compatible connector	M12, IP67

### Mains powered heater (optional)

Electrical heating	24V AC
Electrical resistance	30W
Mechanical thermostat	4-11 °C



[WWW.PULSONIC.COM](http://WWW.PULSONIC.COM)



### PULSONIC

48, rue de Versailles 91400 Orsay France  
 Tel : +33 1 64 46 34 10 | Fax : +33 1 64 46 25 22  
 Email : [info@pulsonic.com](mailto:info@pulsonic.com) | [www.pulsonic.com](http://www.pulsonic.com)  
 SAS with a capital of 70000€ | RCS : Evry B 329 221 980

